

We are the optimal partner for you.

Local to us means anywhere, especially where you are.

Planning
Modernisation "yes or no", "now or later" – our specialists are here to support you in finding an optimal solution for your system. Call us or contact us through the Internet. We would be delighted to visit you, of course. Anytime.

For additional information and the location of our subsidiary nearest you, please contact:
www.schindler.com



Schindler Modernisation
To give new life to your elevator.
Our approach to renovation.

PLM/MOD/0001/EN/04/06





Do you want to get the most out of your elevator? Then read on.

Tailor-made solutions

Is your elevator beginning to show its age? Does the system need to be overhauled, partly or completely? Then we have the perfect solution for you: We modernise your elevator to meet your specific needs. We focus on what is essential, with utmost flexibility, quickly and quietly. A worthwhile investment in the future.

Sophisticated approach

Maintenance, repair and thus operating expenses of an elevator increase over time. Wear and tear cannot be ignored. It is a natural process, which we can reverse through modernisation. We will upgrade your elevator to a state-of-the-art system. All mechanical components will be adapted to fit precisely into the existing equipment. A convincing solution.

New safety requirements

In the future, the safety requirements for both new and existing systems will become more stringent. According to the European guideline EN 81-80 (SNEL, Safety Norm for Existing Lifts) older elevators have to be upgraded, even if the system is in good condition. A sensible way to increase safety.

Numerous advantages

Upgrading your elevator system in time offers many advantages to all concerned – owner, manager and passengers:

- improved safety
- superior reliability
- efficient operation
- higher passenger comfort
- reduced energy consumption
- modern cabin design
- conformance with standards
- enhancement of property value

Professional support

When, how and what to modernise in an elevator system requires an in-depth analysis by a specialist. We offer you our support, because we have the thorough know-how and long-term experience required to make an optimal decision. We are familiar with your elevator, and we know what is appropriate for your particular system: Replacing accessories or individual components, package solutions, or installing a completely new system. Don't hesitate. Call us now.

We make reliability visible. See for yourself.

Schindler modernisation means that we have an optimal solution for any elevator. The following components can be replaced and offer numerous advantages over the existing system:

Drive

- smaller, lighter, more powerful, more efficient
- less noise, more environmentally friendly
- reduced energy consumption
- higher passenger comfort
- higher stopping precision
- increased safety

Control system

- state-of-the-art electronics
- higher capacity
- easy to operate
- higher system availability
- preventative error detection

Mechanical material

- rail fastening, guide rails, cables, shock absorbers, etc.
- increased safety

Doors

- improved safety
- increased transportation capacity
- enhanced comfort (doors opening automatically)

Lift car

- optimal use of space
- modern design to fit your needs
- more comfort (for example, handrails, mirror, lighting)
- prevention of vandalism

Operating panels

- easy to use
- suitable for disabled passengers (for example, voice announcement, Braille, visual and acoustic call confirmation)
- flat and easy to install
- various surfaces

Safety

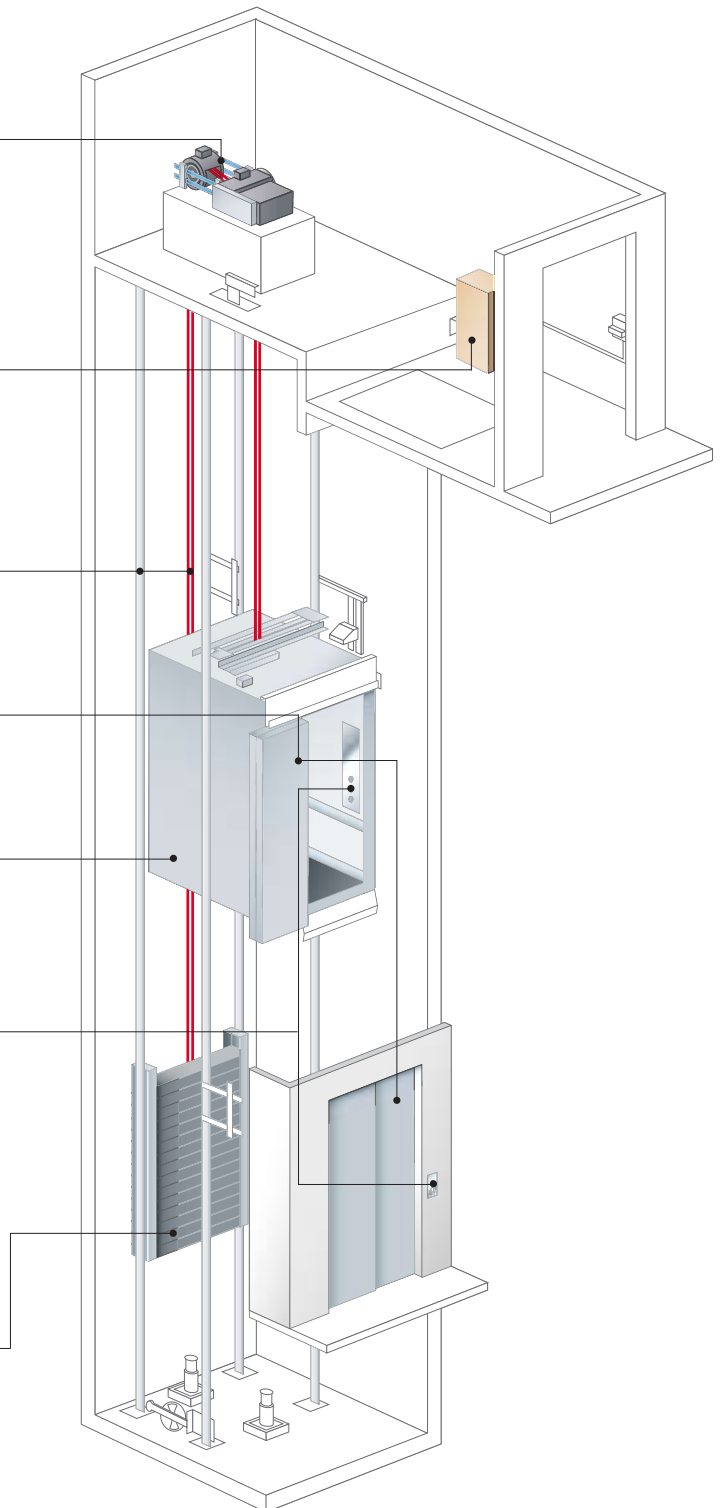
- safety components comply with current requirements
- latest innovative upgrades

Counterweights

- flexible and easy to install
- complying with current requirements

Accessories and kits

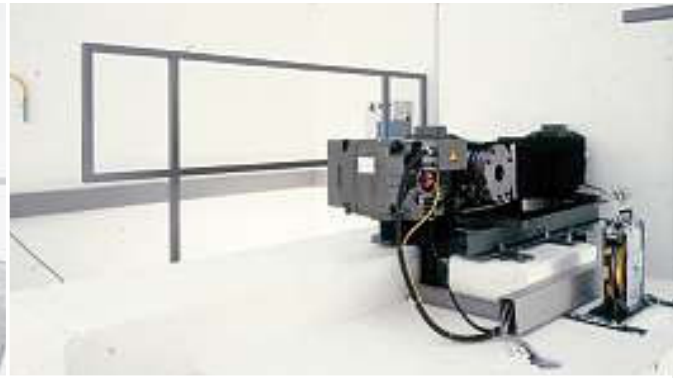
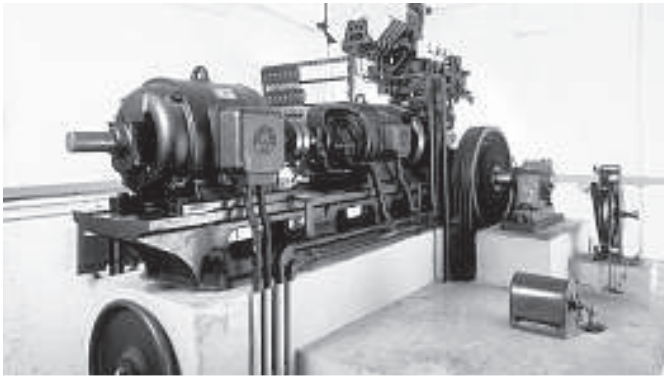
- wide range of individual options
- greater functionality, safety, comfort and availability



Old

New

Drive



Control system



Operating panels



Lift car



It's not the path that counts, it's the goal.

Minimal

Schindler modernises where necessary. The new technology fits seamlessly into the existing system, with total precision. The building requires no or only minimal adjustments due to flexible and modular interfaces.

Comfortable

Schindler modernises your system to comply with current safety requirements. You will enjoy optimal protection, the elevator is easier to operate and more comfortable.

Economical

Schindler modernises selectively. Changes to the existing system will be kept to a minimum. Replacement components are installed quickly. The process is completed with the minimum disruption for the residents.

Optimal

Schindler modernises to provide an optimal solution for any elevator, regardless of its age. We offer you a complete range of services – from minor improvements in the accessories to full system replacement, even in connection with building remodelling or reconstruction. You will enjoy the result immediately and for a long time to come.